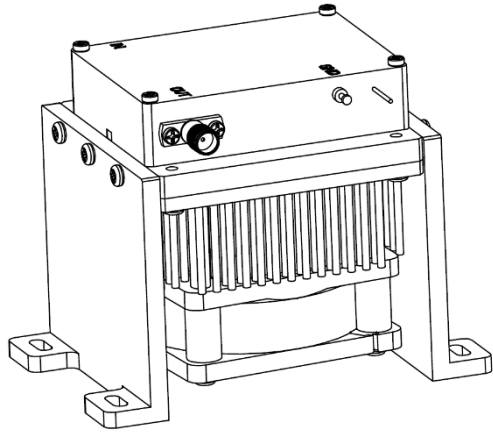


26-34GHz Broadband Amplifier, +32dBm

2022-4-1



Product Overview

AT-HPA-2634-3532X is high gain power amplifier with +32dBm output power in the frequency of 26-34GHz. The DC power requirement is +12V/0.9A. Supply voltage can be from +8 to +24V. The module is with SMA connector.

The power amplifier has high gain, high linearity, low input/output return loss and flat gain response. There is no heatsink and fan in default. Option with suffix "-HF" is part number with heatsink and Fan.

More information, please visit www.atmicrowave.com

Advantages

- ✓ Frequency: 26-34GHz
- ✓ Pout:+32dBm
- ✓ Small signal gain: 35dB
- ✓ Single Power Supply

Application

- ✓ 5G Communication
- ✓ Test Equipment
- ✓ ROF (RF Over Fiber)
- ✓ Radar System

Key Features

Parameter	Min	Typical	Max
Frequency		26-34GHz	
Gain	33	35dB	
P1dB	+30	+31dBm	
Psat (26-33GHz)	+31dBm	+32dBm	
Drain Supply	+8V	+12V	+24V
Current/Quiscent @12V		0.9A	
IDD Psat @12V		1.3A	1.6A
Input Return Loss		-10dB	
Output Return Loss		-7dB	
Spec Temp		25C	





AT-HPA-2634-3532X

26-34GHz Power Amplifier

Mechanical Information

Item	Description
Input Port	2.92mm Female
Output Port	2.92mm Female
Case Material	Copper
Finish	Gold Plated
Weight	150g
Size:	See outline

Absolute Maximum Ratings Table

Parameter	Value
Drain Supply	+28V
RF Input Power	+10 dBm
Operating Temperature	-20 to +70C
Storage Temperature	-65 to +150C

Caution:

Please pay attention to the case temperature. If case temperature exceed higher than +50C, heat sink and fan are required, or the amplifier may be damaged.

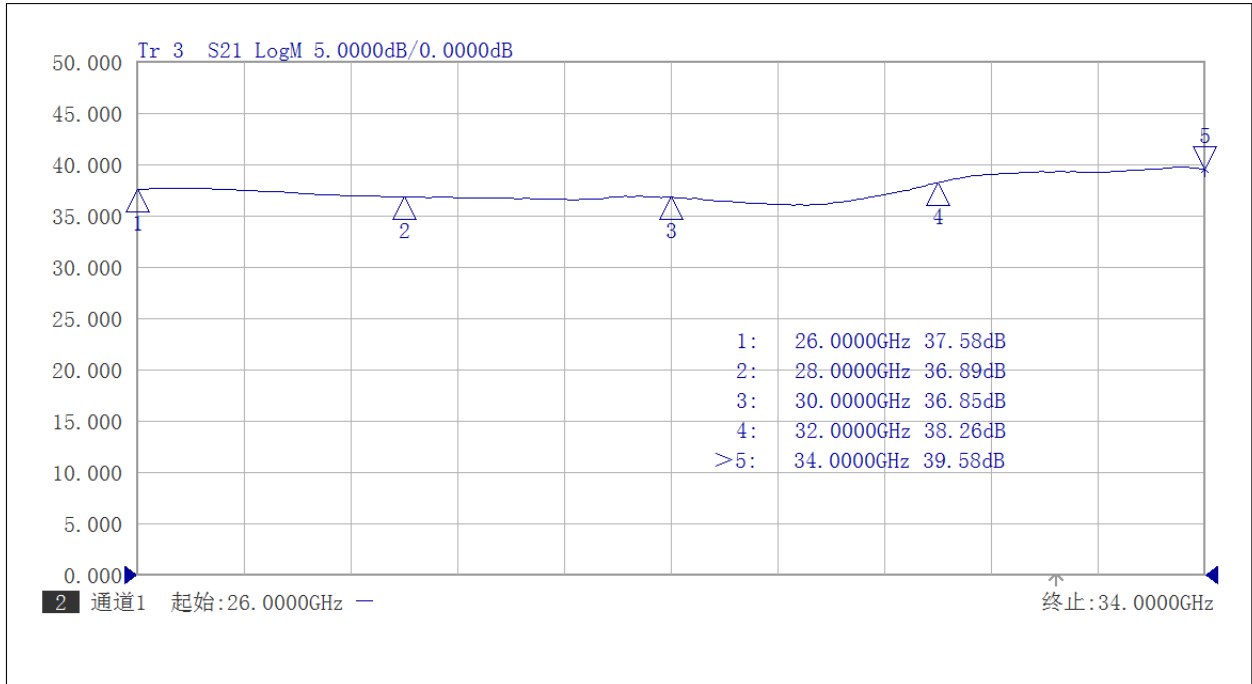
Part Number Selection

Item	Description
AT-HPA-2634-3532X	In defaulted without heatsink and Fan. Heatsink and Fan required during operation.
AT-HPA-2534-3532X-HF	Including Heatsink and Fan. Fan bias is connected with PA Module's Vdd supply

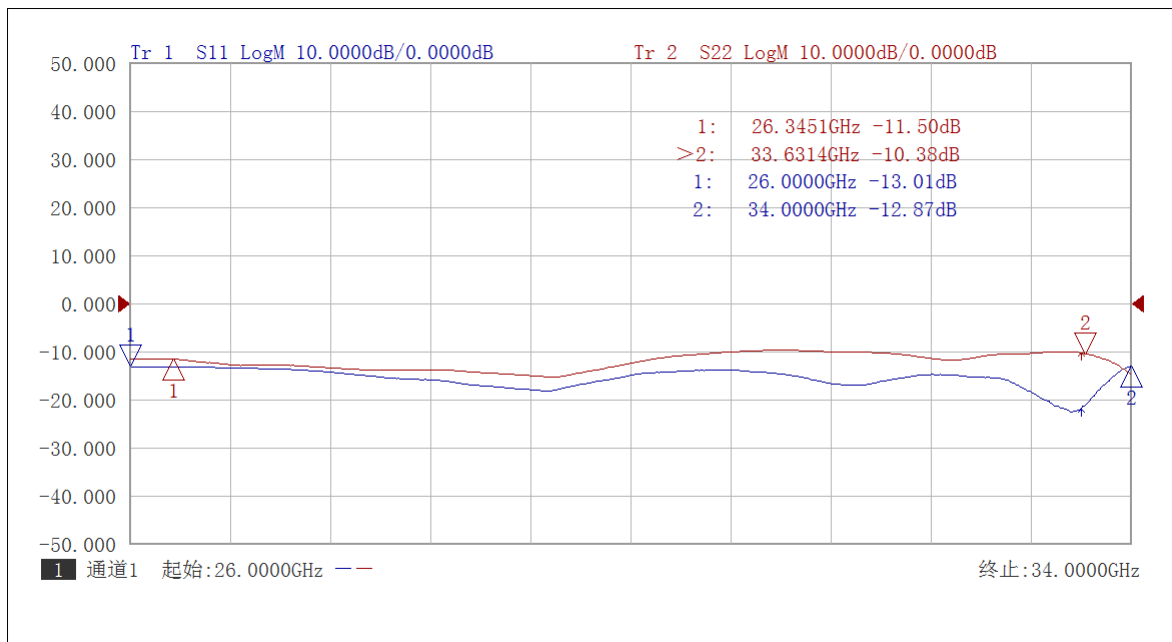


Test Data (25C)

Please note that test curves will vary slightly from unit to unit.



Gain vs Frequency



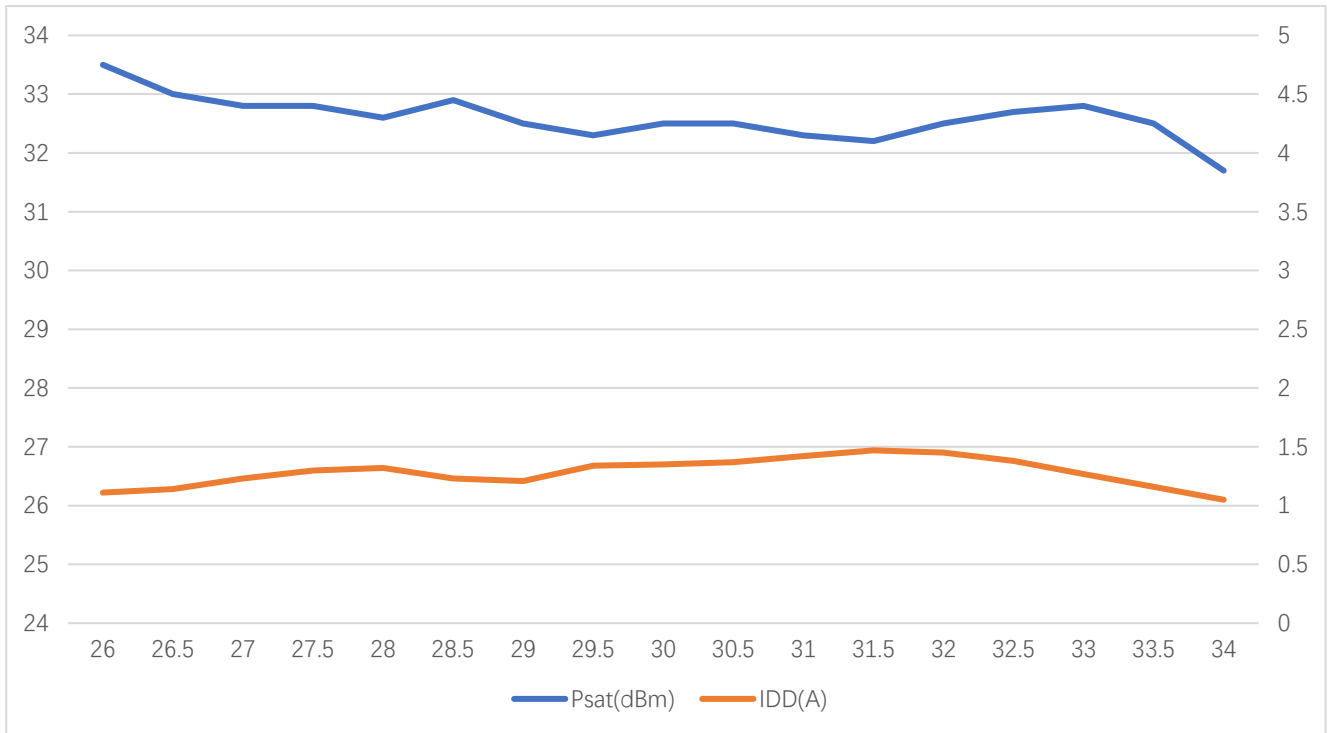
Return Loss vs Frequency



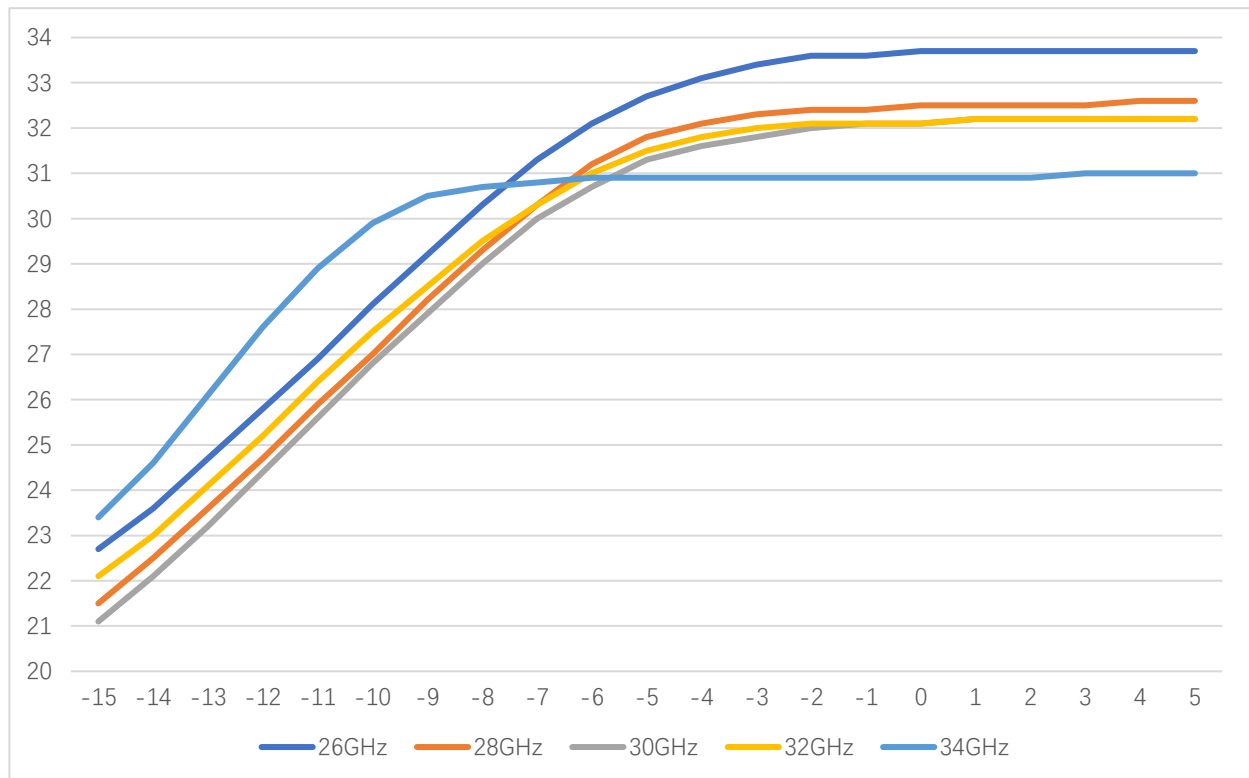


AT-HPA-2634-3532X

26-34GHz Power Amplifier



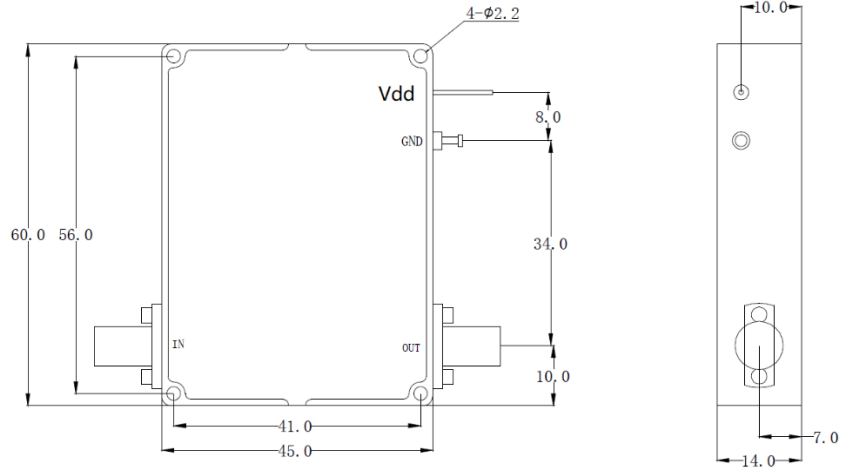
Psat and IDD/12V vs Frequency



Pout vs Pin



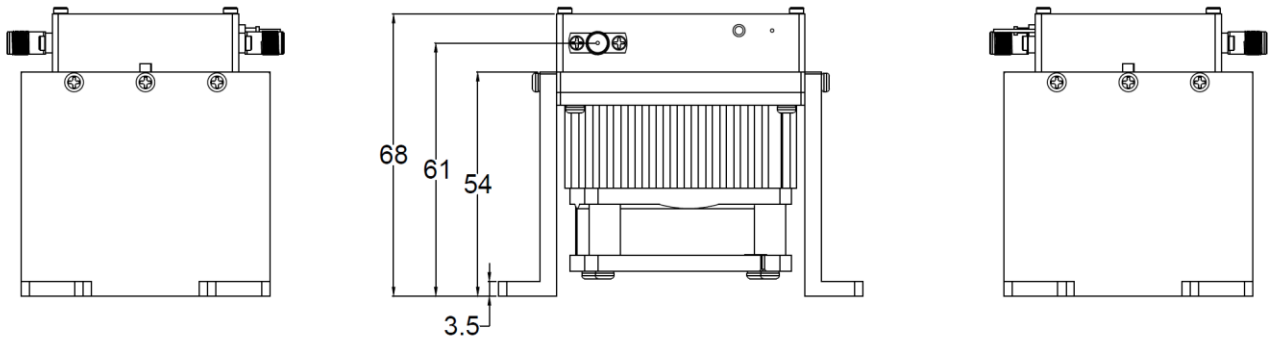
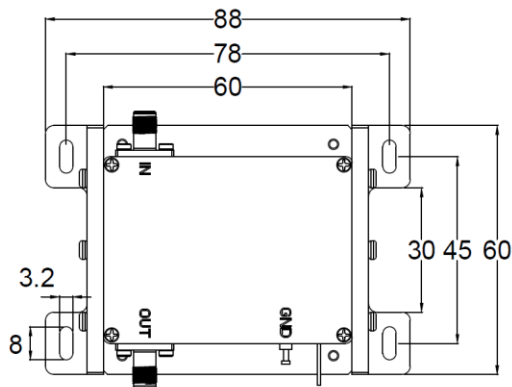
Dimension: (unit mm)



	<26.5GHz	<40GHz	<50GHz	<67GHz
Connector	SMA	2.92mm	2.4mm	1.85mm
Length of a	9.4mm	9.5mm	10.8mm	11.3mm

Note: Female Default. Contact with us for other types.

Outline without heatsink. Heat Sink Required During Operation



Outline-HF option with heatsink

